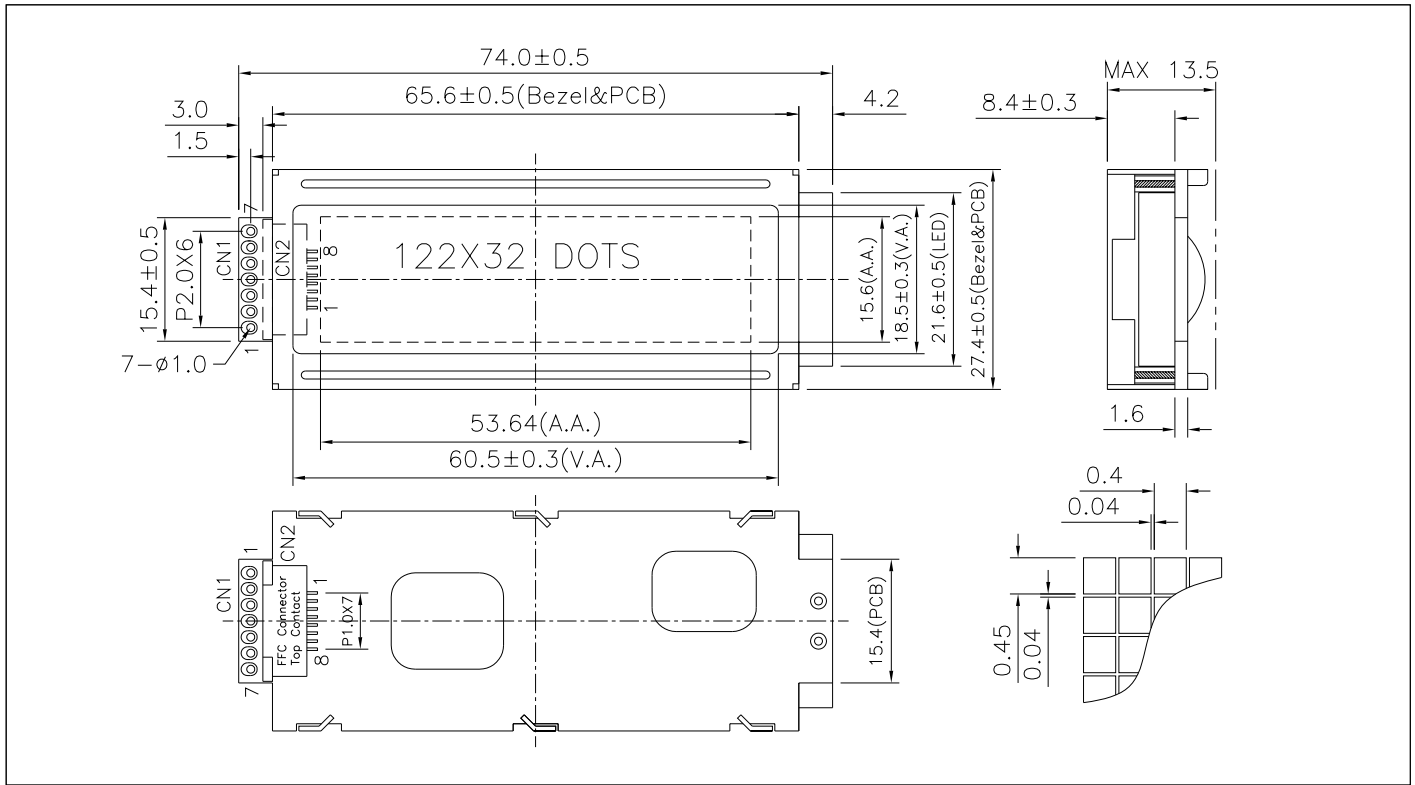


LG12232B-DY

122 x 32 dots + yellow green led backlight, SPI, 5V, built in Chinese font



ABSOLUTE MAXIMUM RATINGS

Item	Symbol	Min.	Max.	Unit
Supply Voltage(Logic)	V _{DD} - V _{SS}	-0.3	5.25	V
Supply Voltage(LCD)	V _O - V _{SS}	-0.3	7.0	V
Input Voltage	V _I	-0.3	V _{DD} + 0.3	V
Operating Temp.	T _{opr}	-20	70	°C
Storage Temp.	T _{stg}	-30	80	°C

MECHANICAL DATA

Item	Nominal Dimensions	Unit
Module Size (W x H x T)	74.0 x 27.4 x 13.5	mm
Viewing Area (W x H)	60.5 x 18.5	mm
Dot Pitch (W x H)	0.44 x 0.49	mm
Dot Size (W x H)	0.40 x 0.45	mm
Weight	Approx. 30	g

ELECTRICAL CHARACTERISTICS (V_{DD}=5V±0.15V)

Item	Symbol	Test Condition	Min.	Typ.	Max.	Unit
Input High Voltage	V _{IH}	--	0.7V _{DD}	--	V _{DD}	V
Input Low Voltage	V _{IL}	--	-0.3	--	0.6	V
Output High Voltage	V _{OH}	I _{OH} = -0.1mA	0.8V _{DD}	--	V _{DD}	V
Output Low Voltage	V _{OL}	I _{OL} = 0.1mA	--	--	0.1V _{DD}	V
Supply Current	I _{DD}	V _{DD} = 5.0V	--	3.0	5.0	mA
LCD Driving Voltage	V _O - V _{SS}	T _a =25°C	--	6.5	--	V

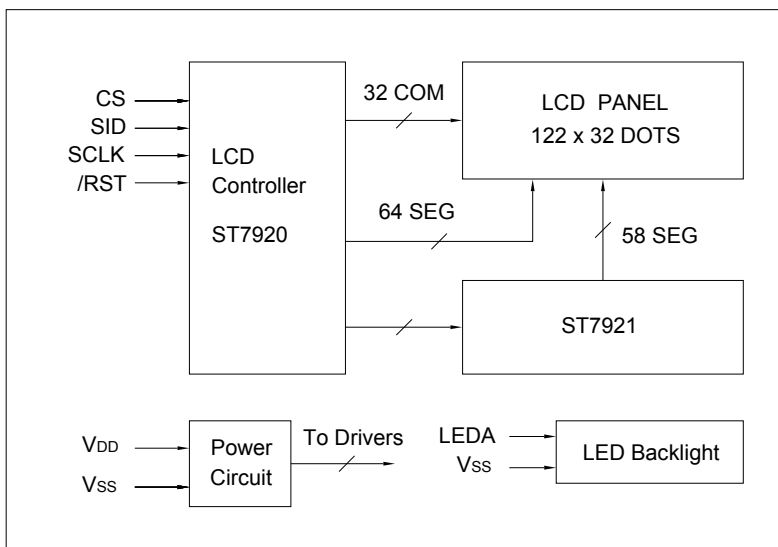
PIN CONNECTIONS (CN1/CN2)

Pin	Symbol	Level	Function
1	V _{SS}	0V	GND
2	V _{DD}	5V	Power supply for logic
3	CS	H/L	Chip enable signal. Active "H".
4	SID	H/L	Serial data input
5	SCLK	H/L	Serial clock input
6	/RST	L	Reset signal. Active "L".
7	LEDA	5V	Power supply for LED backlight
8	NC	--	No connection

Notes:

1. LEDK is connected to V_{SS} on PCB
2. Pin 8 is only available for CN2.

BLOCK DIAGRAM



LED BACKLIGHT SPECIFICATIONS (T_a=25°C)

Item	Symbol	Typ.	Max.	Unit
Forward Voltage	V _f	2.9	3.0	V
Forward Current	I _f	18	--	mA
LED Color		Yellow Green		