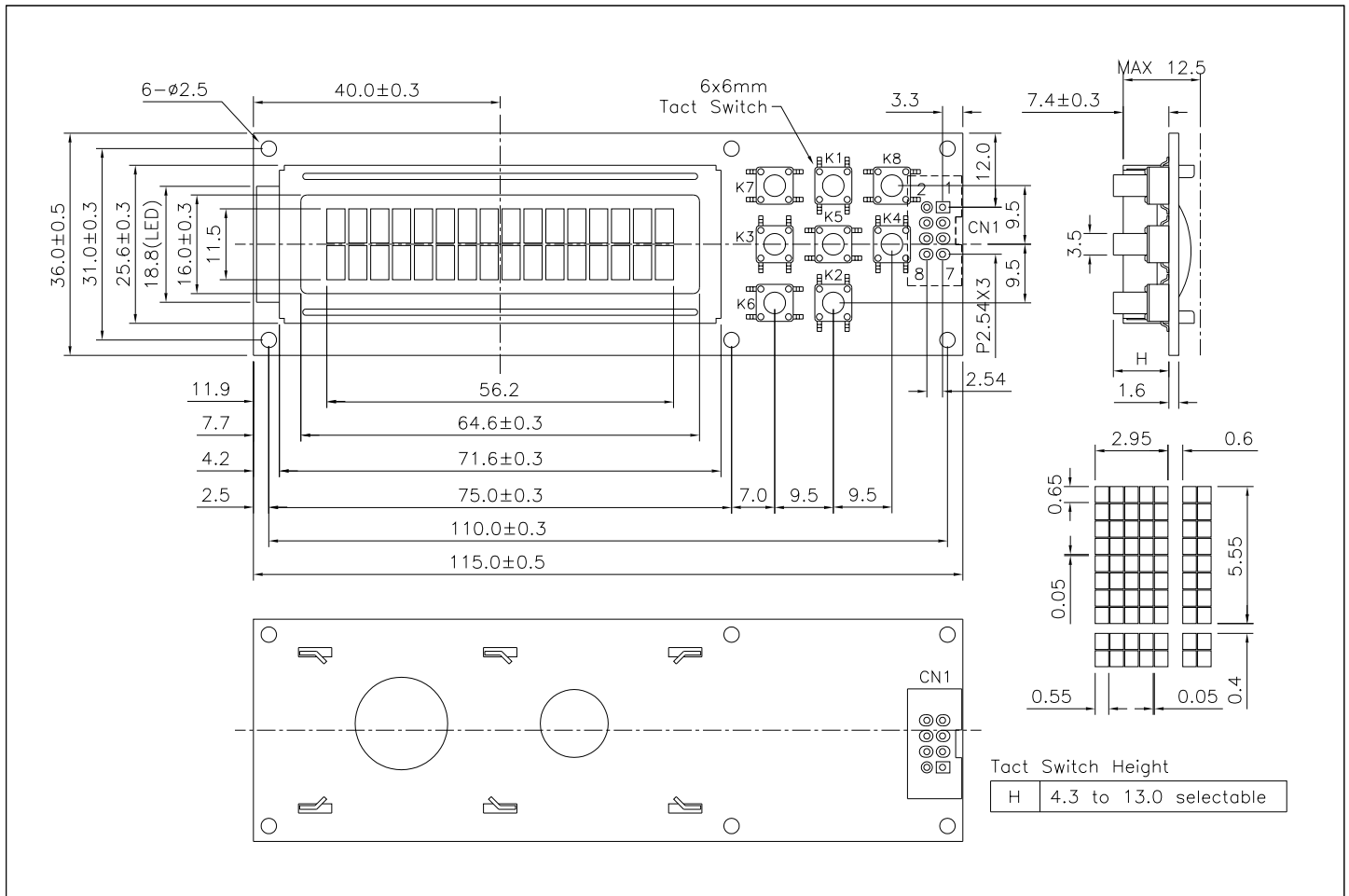


# LC162D-DY

16 characters x 2 lines + yellow green led backlight + 8 switches, RS-232 I/F, 5V



## ABSOLUTE MAXIMUM RATINGS

Item	Symbol	Min.	Max.	Unit
Supply Voltage(Logic)	V <sub>CC</sub> - V <sub>SS</sub>	-0.3	6.0	V
Supply Voltage(LCD)	V <sub>CC</sub> - V <sub>O</sub>	-0.3	10.0	V
Input Voltage	V <sub>IN</sub>	-30.0	30.0	V
Operating Temp.	T <sub>opr</sub>	-20	70	°C
Storage Temp.	T <sub>stg</sub>	-30	80	°C

## MECHANICAL DATA

Item	Nominal Dimensions	Unit
Module Size ( W x H x T )	115.0 x 36.0 x 12.5	mm
Viewing Area ( W x H )	64.6 x 16.0	mm
Character Size ( W x H )	2.95 x 5.55	mm
Dot Size ( W x H )	0.55 x 0.65	mm
Weight	Approx. 45	g

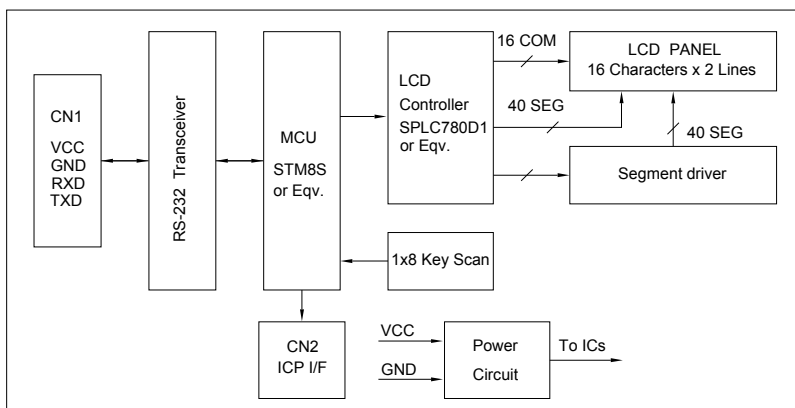
## ELECTRICAL CHARACTERISTICS ( V<sub>CC</sub>=5V±0.25V )

Item	Symbol	Test Condition	Min.	Typ.	Max.	Unit
Input Threshold Voltage (H)	R <sub>INH</sub>	V <sub>CC</sub> = 5.0V	--	1.7	2.4	V
Input Threshold Voltage (L)	R <sub>INL</sub>	V <sub>CC</sub> = 5.0V	0.8	1.2	--	V
Output Voltage Swing	T <sub>OUT</sub>	3KΩ load to GND	±5.0	--	±8.0	V
Supply Current	I <sub>CC</sub>	Backlight on	--	35.0	42.0	V
		Backlight off	--	17.0	20.0	mA

## Features:

1. Full duplex RS-232 I/F
2. Baud rate 9600bps
3. 8 data bits, no parity, 1 stop bit
4. Supports maximum 8 keys

## BLOCK DIAGRAM



## PIN CONNECTIONS

Pin	Symbol	Level	Function
1-2	V <sub>CC</sub>	+5V	Power supply
3-4	GND	0V	Ground. Connect to pin 5 (GND) of PC RS-232 DB9 male connector.
5-6	RXD	--	Receive data. Connect to pin 3 (TXD) of PC RS-232 DB9 male connector.
7-8	TXD	--	Transmit data. Connect to pin 2 (RXD) of PC RS-232 DB9 male connector.